



# DC-WPST591-VP (series) User's Manual

## 1. Getting to know your camera.

### 1.1 Features

- 5.0 Mega pixels resolution sensor
- Video clips
- Audio recorder
- PC camera
- Built-in Microphone
- Built-in flash
- TV output
- 2.0" LTPS color display
- Internal 16MB flash memory with SD card support (SD card not included)
- Macro mode
- Driver free for Windows XP/Vista and MAC 10.x or above

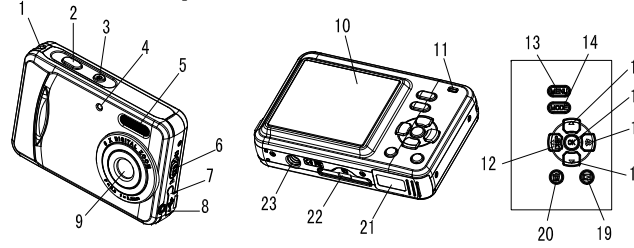
### 1.2 Specifications

Sensor	5.0 Mega pixel CMOS sensor
Image resolution	12.0 Mega pixels: (4032x3024) (Hardware Interpolation)*
	8.0 Mega pixels: (3264x2448) (Hardware Interpolation)*
	5.0 Mega pixels: (2560x1920)
	3.1 Mega pixels: (2048x1536)
Lens	1.3 Mega pixels: (1280x960)
	300K pixels: (640x480)
	F/2.8 f=8.5mm
Focus range	1.6 ft. - Infinity
Macro mode	0.4ft. – 0.6ft.
Digital zoom	8x
Flash strobe	Built-in (Auto/force/off)
LCD display	2.0" color LTPS TFT
White balance	Auto/Daylight/cloudy/Tungsten/Fluorescent
Video mode	30fps@QVGA & 20fps@VGA
Built-in memory	16MB Flash memory
Picture Capacity in 16MB memory (The quantity of pictures varies and depends on the contents of the photos.)	VGA: (640x480) --138 Pictures
	1.3M: (1280x960) -- 54Pictures
	3.1M: (2048x1536) -- 28 Pictures
	5.0M: (2560 x 1920) -- 21 Pictures
	8.0M: (3264x2448) -- 14 Pictures
12M: (4032x3024) --3 Pictures	
External memory card	SD card supports up to 8GB (SD card not included)
File format	Picture: JPEG, Video: AVI, Voice: WAV
Self timer	2, 10, 10+2 seconds
PC interface	USB 1.1
TV-out	NTSC/PAL
Power source	2xAAA alkaline batteries(Rechargeable batteries not recommended)

### 1.3 System requirements

Operating System	Windows XP/Vista or above Mac 10.x or above
CPU	Pentium II or above
RAM	At least 64MB
Interface	USB port
CD	4x speed CD ROM or above

## 2. Functional parts:



1	Strap hook	Hook for attaching the wrist strap to the camera.
2	Shutter	Press this button to take photographs or to start/stop recording a short video clip.
3	Power on/off button	Press this button to turn on, press again to turn off.
4	Self-timer indicator	Blinks when the self-timer function is operating.
5	Flash light	Use the built-in flash to give the subject extra lighting in dark surroundings (the best flash distance is recommended within 4.9ft.).
6	Macro switch	<b>Macro mode:</b> Select this mode to take close-up photographs (distance 0.4 ft. – 0.6 ft). <b>Normal mode:</b> Select this mode to take photographs from 1.6 ft - infinity
7	USB interface	Using this connection, you can download photographs and video clips to a computer.
8	AV port	For television connection.
9	Lens	Records the image to be taken. <b>Note:</b> Keep the lens clean. Dirt and fingerprints will affect the quality of the picture.
10	LCD screen	Display photographs, video clips, camera setting and menu.
11	Busy LED	When the indicator is lit, the camera is in busy mode.
12	Left/ display	For menu LEFT selection, and LCD display on / off.
13	Menu	For camera setting.
14	Mode	Press it to select different modes.
15	UP	UP & Digital zoom in
16	OK	Press it to confirm changes.
17	Right/flash light	For menu right selection, and selection of flash light mode.
18	Down	DOWN & Digital zoom out
19	Playback	Press it to enter playback mode.
20	Delete	Press it to delete the photo in playback mode.
21	Battery door	2xAAA alkaline batteries
22	SD card slot	SD card slot.
23	Tripod connector	To place the camera on tripod.

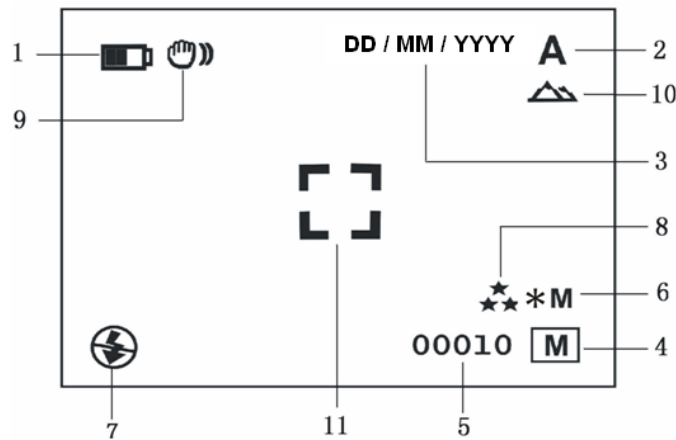
## 3. Setting your digital camera.

Capture SET	Size	12M pixel resolution	*4032 x 3024
		8.0M pixel resolution	*3264 x 2448
		5.0M pixel resolution	2560 x 1920
		3.1M pixel resolution	2048 x 1536
		1.3M pixel resolution	1280 x 960
	VGA resolution	640 x 480	
	Quality	Fine(Default)/Standard/ Economy	Picture quality setting
Scene mode	Auto(Default)/Sport/Night/ Portrait/Landscape/Backlight	Scene setting	

Status	Exposure value	+/-2, +/-4/3, +/-2/3,+/-1/3 +/-1, 0(Default)	Level of exposure
	White balance	Auto (Default)	Automatic white balance
		Daylight	White balance selected for daylight surroundings
		Cloudy	White balance selected for cloudy surroundings
		Tungsten	White balance selected for tungsten lighting
		Fluorescent	White balance selected for fluorescent surroundings
	ISO	Auto(Default)/10/200	Sensitivity select
	Color	Standard (Default) / Vivid / Sepia / Monochrome	Color setting
	Saturation	Normal(Default) / High / Low	Saturation setting
	Sharpness	Normal(Default) / Hard / Soft	Sharpness setting
	Self timer	2s	Set the delay time at 2s to take a picture
		10s	Set the delay time at 10s to take a picture
		10+2s	Set the delay time at 10s to take a picture, and then every 2s to take pictures automatically.
	Date Input	Off(Default)/Set	DD,MM,YYYY
	Time Stamp	Off(Default)/Date Only/Date & Time	Shows the date and / or time on the pictures
Continuous shoot	Continuous shoot	Continuously shoot up to 3 pictures within 10 seconds.	
Format	Execute/cancel	Format the memory card.	
Language	English(Default)/T-Chinese/S-Chinese/French/German/Italian/Spanish/Portuguese	Select display language	
Auto power off	1/3/5 min and Off	Auto power off in 1min, 3min (default) or 5 min if not in operation	
Sys. Reset	Execute/cancel	Restore default settings	
Light-Frequency (Flicker)	50Hz	Main European electricity frequency	
	60Hz	Main American electricity frequency	
TV- Out	NTSC	American and Japanese video format	
	PAL	European video format.	
USB	PC Cam	Work as a web camera.	
	Disk Drive	Use as a portable disk.	

**Note:** The camera will remain the last setting when it is turned off.

## 4. Explanation of the status icons on the LCD screen.



## 5. Using the camera

### 5.1 Installing the batteries

1. Open the battery door.
2. Insert 2 AAA alkaline batteries into the camera.
3. Turn on the camera.  
Press the POWER button to turn it on (press it again to turn off).

### 5.2 Inserting a memory card (not included).

This camera has built-in internal memory. This memory can be extended with a SD memory card (not included).

Follow the instructions given below to insert the optional SD memory card into the camera.

1. Turn off the camera first.
2. Insert the SD card into the camera.

**Note:** There is only one right direction to insert the SD memory card into the slot. Do not force the card into the slot, or else it may damage both the camera and the SD memory card.

**Note:** The SD memory card must be formatted before taking photographs. See the following sections for more information.

### 5.3 Formatting the SD memory card.

1. Press Menu button
2. Select Setup setting by right key.
3. Press OK to confirm and select by up or down key.
4. Press OK to format the card or memory.

**Note:** Formatting the SD card or camera will erase all data on SD card as well as all data stored in internal memory.

### 5.4 Setting the resolution

The camera can be set to different resolutions.

1. Press MENU to set proper resolution.

**Resolution:** VGA ( 640X480), 1.3M ( 1280x960), 3.1M (2048X1536),

5M (2560 x 1920), 8M (3264x2448)\*, 12M (4032x3024)\*

2. Six different resolutions will be displayed. Select the desired resolution by using the ▲ or ▼ buttons and then press the OK button to confirm the selection.

### 5.5 Taking photographs

1. Turn on the camera by pressing the ON/OFF button.
2. Press MODE to set the camera to photo mode (A).
3. Depending on the distance to the object being photographed, use the Macro switch to adjust the distance. Select the flower symbol (🌸) if you wish to take a close-up photograph (0.4 ft. – 0.6 ft). If you wish to take photographs of surroundings or people (1.6 ft. - infinity), set the Macro switch to normal mode (▲).
4. If you are not sure if there is enough lighting, turn the automatic flash (📷) on by pressing the flash button. (If the battery power is too low, the flash will not be activated).
5. Use the LCD screen to aim towards the object you wish to photograph.
6. Press the Shutter button and hold the camera steady for 2 to 3 sec., until the LCD display turn on again.

**Caution:** 1) Taking picture for fast-moving object is not recommended.  
2) Image may be distorted when taking picture in a moving vehicle.

### 5.6 Zoom in and out

The camera can zoom in up to 8 times.

1. Zoom in by pressing the ▲ or ▼ button, a number will appear on the display. 8.0 is the maximum zoom.
2. You can zoom in by pressing the UP or DOWN button.

### 5.7 Taking photographs using the self-timer function.

You can use the self-timer function when you wish to take a photograph for yourself or when you wish to photograph an object where the camera must be as still as possible, for example, when using a tripod.

1. Set the camera to photo mode.
2. Press the MENU button. The quick menu will appear.

3. Press ▼ to self-timer mode, press OK and ▲ or ▼ to set the delay time: 2seconds, 10 seconds, 10+2seconds or off.
4. Press the OK button to confirm. The self-timer function is now ready for use.
5. Aim at the object you wish to photograph.
6. Press the SHUTTER button to take a photograph.
7. The self-timer indicator LED in the front will blink.
8. The photograph will be taken after the timer reaches the delay time that you pre-set, and the camera will beep once.

### 5.8 Recording video clips

1. Press the MODE button to select the video clip mode.
2. Press the SHUTTER button to start recording video, press the SHUTTER button again to stop recording. The video clip will now be saved as an AVI file in the camera memory.
3. Press MENU to set proper resolution, EV and WB, and press OK to confirm.

### 5.9 Playback photographs

1. Press PLAYBACK button, press ◀ or ▶ to select the video clip or photo.
2. Press ▲, it will go to 2x zoom, press ▲ again to 3x zoom up to 8x zoom.
3. Press "OK" and then Press ▲, ▼, ◀ or ▶ to shift the image.
4. Press MENU to select SLIDE SHOW, and then press OK to confirm. The pictures saved in your camera or your SD card will be displayed in sequence automatically.

### 5.10 Playback video clips

1. When video clips are displayed, press OK to play, and press the DOWN key to stop.
2. Press OK to pause the playback
3. Press the Playback key to exit.

### 5.11 Recording voice

1. Press MODE button to select the voice recording mode,
2. Press SHUTTER to start voice recording and press it again to stop.

### 5.12 Delete photographs and video clips

You can choose to delete a single photograph / video clip, or delete all the photographs / video clips in the memory.

#### 5.12.1 Delete photograph

Follow the instructions given below to delete photographs.

1. Press PLAYBACK to enter the playback mode.
2. Press the MENU button and select Delete One/Delete All, press OK to confirm.
3. If you select Protect picture, your current file or images can not be deleted.
4. Press MENU to exit.

**NOTE:** Select 'Deleting All' and pressing OK to confirm, this will delete all of the photos and videos that you have saved.

#### 5.12.2 Shortcut to delete one picture

1. Press PLAYBACK to enter Playback mode.
2. Select the photo / video you want to delete, press DELETE 🗑 button.
3. Press OK to confirm.

## 6. Installing the camera driver

The driver in the CD has to be installed, under following applications:

Windows XP, Windows Vista: For use as a PC cam only. (Downloading pictures / videos is driver free)

### 6.1 Uninstalling old drivers and devices

The most common problem that occurs during installation is the presence of a driver for a similar, old device. The best solution is to remove all the drivers related to the old devices before installing the new driver. Make sure you only delete programs for old, unused, similar devices.

1. Enter Windows 'Safe Mode' (press F8 when starting Windows and then select 'Safe Mode' from the menu which will be displayed).
2. Click on 'Start – Settings – Control Panel' and double-click on 'Add/Remove Programs' icon.
3. Find all the programs for similar, old devices and remove these by clicking on

Item	Function	Description
1	Battery indicator	The batteries are full. The batteries are empty.
2	Recording mode	<b>A</b> Setting for photographs taking Setting for video recording
3	Date stamp	Displays the date day/month/year
4	Memory or SD card indicator	Indicates memory or SD card Pictures stored in built-in memory Pictures stored in SD card
5	Photo / Video counter	Photo mode :Number of picture can be taken Video mode: Recording time available in seconds Playback mode: The number of pictures or video clips
6	Camera or Video resolution	Displays the resolution: <b>12M= 4032x3024*</b> <b>8M= 3264x2448*</b> <b>5M=2560x1920</b> <b>3.1M = 2048x1536</b> <b>1.3M=1280x960</b> <b>VGA=640x480</b>
7	Flash indicator	<b>Force flash:</b> The flash will be used for every photo. <b>Auto Flash:</b> The camera determines if the flash must be used or not. <b>No Flash:</b> The flash is turned off.
8	Picture quality	★★ Fine (Default). ★★ Standard. ★ Economy.
9	Brightness Alert	Alerts user to hold the camera steady.
10	Normal / Macro mode indicator	Normal mode (1.6 ft. – infinity) Macro mode (0.4 ft. – 0.6 ft.)
11	View center	

the 'Add/Remove' button. When in 'Safe Mode', it is possible for some programs to appear twice. In that case, remove all the programs which appear twice.

- Restart the computer.

## 6.2 Installing the driver for Windows XP / Windows Vista

**Note:** Make sure all other programs are closed during the installation process.

**Note:** During installation for Windows XP/Vista, you may receive a message saying that the driver has not been signed. This does not cause a problem for the functionality of the program. Please click "Yes" to continue.

**Note:** For example, 'D: \ ' is used to indicate the CD-ROM drive. This may be different for your computer.

- Insert the CD-ROM into your computer's CD-ROM drive. The installation program will start automatically. If it does not start automatically, please do the following:
  - Select 'Run' from Windows Start menu.
  - Type [D:\SETUP.EXE] and click on 'OK' to start the Software Installer.
- The Software Installer will appear.
- Select the language you wish to use for the installation.
- Click on 'Install driver' to start the installation of the camera driver.
- Follow the on-screen instructions.

## 6.3 Connecting the camera

The camera can be connected to the computer in two different modes: Mass Storage Device, or as a PC camera for video conferencing on the Internet.

### 6.3.1 Connecting as a mass storage device

This option makes it possible to download photographs and video clips onto your computer.

- Turn the camera on by pressing the ON/OFF button.
- Press MENU button and press RIGHT key to select the Setup setting.
- Press ▼ button to set USB connection.
- Press ▲ or ▼ button to choose the Disk Drive mode.
- Press OK to confirm.
- Connect the camera to the computer.
- Windows will automatically detect the camera. You can use this camera as a removable disk.

### 6.3.2 Connecting as a PC camera



When you connect the camera as a PC camera, you can use the camera as a web cam for video conferencing on the Internet by using Windows NetMeeting or Windows Messenger.

(You must install the driver before connecting the Digital Camera to your computer.)

- Turn the camera on by pressing the ON/OFF button.
- Press MENU button and press RIGHT key to select the Setup setting.
- Press ▼ button to choose USB connection.
- Press ▲ or ▼ button to choose the PC camera mode.
- Press OK to confirm.
- Connect the camera to the computer.
- Windows will automatically detect the camera. You can then use the camera as a web cam.

## 7. Trouble shooting

Problem	Cause	Solution
Cannot turn on the camera by pressing the "power" button.	Low battery power, battery is missing or incorrectly inserted.	Replace or install the battery correctly.
Photos are not saved or are missing when taking pictures.	The memory card or built-in memory hasn't been formatted	Format the memory in SETUP mode of the camera. Please refer to section 5.3.

	properly.	
Cannot find removable disk after connecting the camera to the computer via USB.	<ol style="list-style-type: none"> <li>1. Connection failure.</li> <li>2. The mode of the camera is not set to removable disk properly.</li> </ol>	<ol style="list-style-type: none"> <li>1. Make sure all cable connections are secured and restart the computer if necessary.</li> <li>2. Set the camera to removable disk mode, refer to section 6.3.1 (system setting, USB connection).</li> </ol>
Flash does not work.	Battery Power is too low.	Replace with new ALKALINE batteries.
The batteries are used up very fast.	Using wrong type of batteries.	Replace with new ALKALINE batteries.
The photos are over exposed.	Set the flash light to force mode  in a bright environment.	Set the Flash light to Auto mode  .
The photos are blurry.	<ol style="list-style-type: none"> <li>1. The camera is not held steadily</li> <li>2. The lens of camera is dirty</li> <li>3. The camera is set to wrong macro mode.</li> </ol>	<ol style="list-style-type: none"> <li>1. Hold the camera steady until it beeps when taking photo.</li> <li>2. Clean the lens with soft dry cloth.</li> <li>3. Set the macro mode according to the distance of subject.</li> </ol>
Get a warning message: "Capture device was not detected" when trying to open PC cam.	<ol style="list-style-type: none"> <li>1. Conflict with another camera or video device.</li> <li>2. The mode of the camera is not set to PC cam mode properly.</li> </ol>	<ol style="list-style-type: none"> <li>1. Remove any other camera drivers completely from your system. Sometimes you have to re-boot your system.</li> <li>2. Set the camera to PC cam mode, refer to section 6.3.2 (system setting, USB connection).</li> </ol>
Cannot preview image in PC Camera mode.	"Preview" is not selected in option Menu in PC.	Click "preview" in the "option" menu to select.